



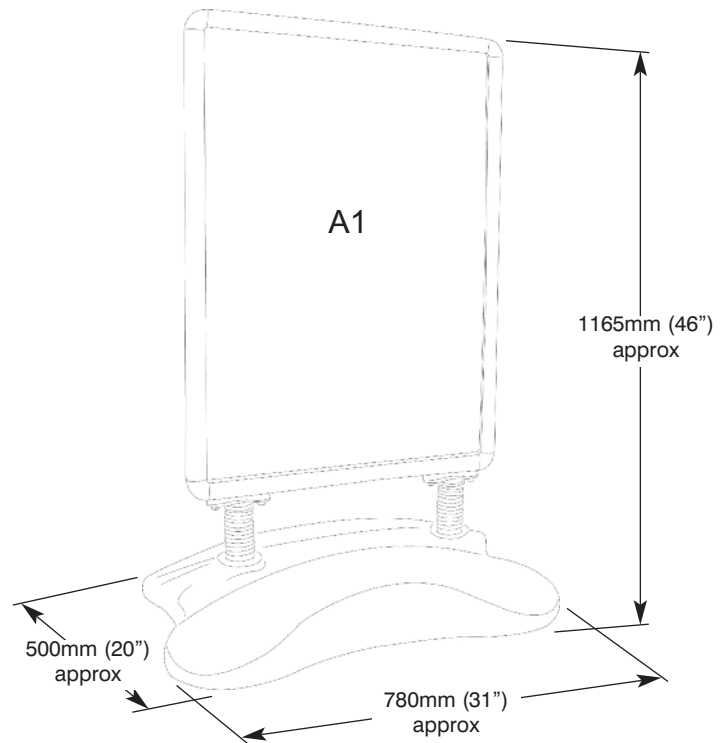
Whirlwind is a heavy-duty double sided swing sign for displaying A1, A0, B1 and B2 size posters. The unit has a wheeled compact moulded base that can be filled with water or sand. The snap frame poster holders make changing your message extremely quick and simple.

features & benefits

- Double sided
- Easy front loading aluminium snap frames
- Suitable for indoor or outdoor use
- Heavy-duty construction
- Wheeled compact moulded base that can be filled with water or sand
- Complete with protective graphics covers



Integral wheels make Whirlwind easy to move

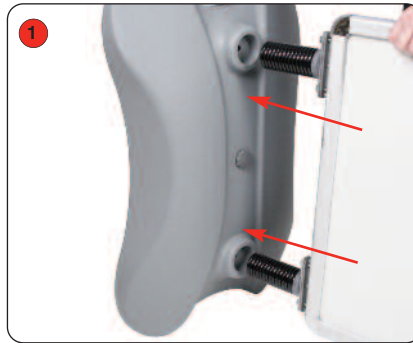


hardware specifications	graphic specifications	additional info
<p>Assembled dimensions h/w/d(mm): A1 - 1165 x 780 x 500 approx. A0 - 1315 x 860 x 500 approx. B1 - 1325 x 780 x 500 approx. B2 - 1030 x 780 x 500 approx.</p> <p>Weight (base): 11kg approx when empty & 36kg approx when filled with water. (capacity 25 litres approx)</p>	<p>Please refer to graphic template</p>	<p>Availability: Aluminium frame with Anodised silver finish and grey moulded base.</p> <p>Note : When moving the unit do not drag the base. Tip unit onto it's wheels and pull or push to move.</p>

Assembly Instructions



Kit includes: Snap frame, moulded base and 2 x bolts



1 Insert the snap frame springs into the moulded base.



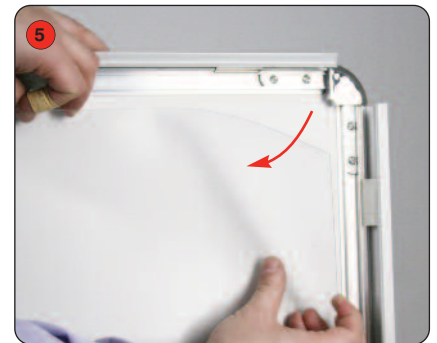
2 Insert bolt and washer through the top of the moulded base.



3 Tighten the bolt to secure the snap frame to the moulded base. Repeat steps 3 and 4 for the second bolt.



4 Open up the snap frame sides.



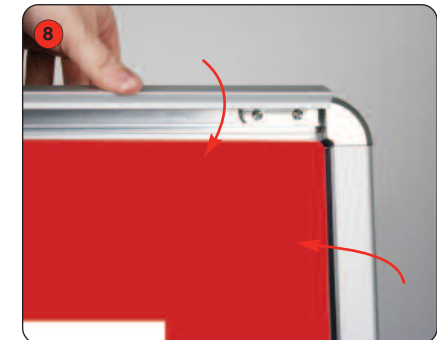
5 Remove the protective cover.



6 Fit the graphic into the snap frame.



7 Fit the protective cover.



8 Close the snap-frame sides to hold the graphics in place.

It is the responsibility of the site owner to ensure that all signs and display boards comply with all local By Laws and Highway Regulations.

To move the sign when assembled and base filled with water / sand, it is recommended that the frame is tilted onto the wheels and pulled / pushed along by holding the top corner of the frame. The handle on the base is not to be used when the base has been filled with water/sand.

Take care not to move the sign over high steps or curbs as damage may be caused to the wheels. Always position the sign on a flat even surface.